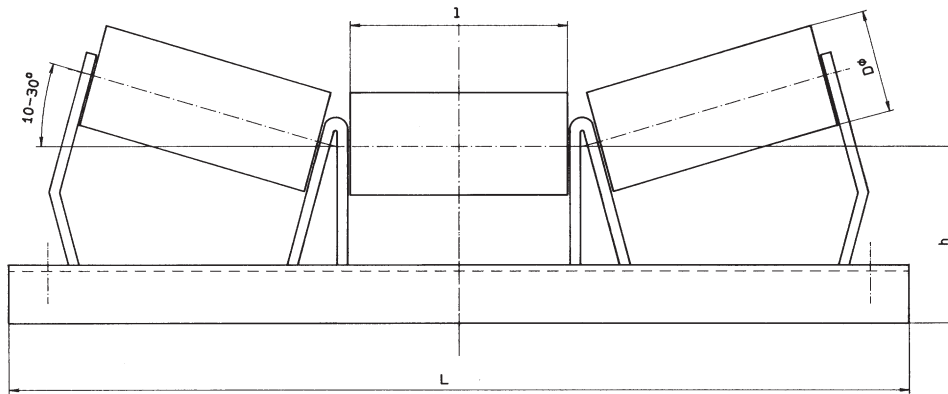
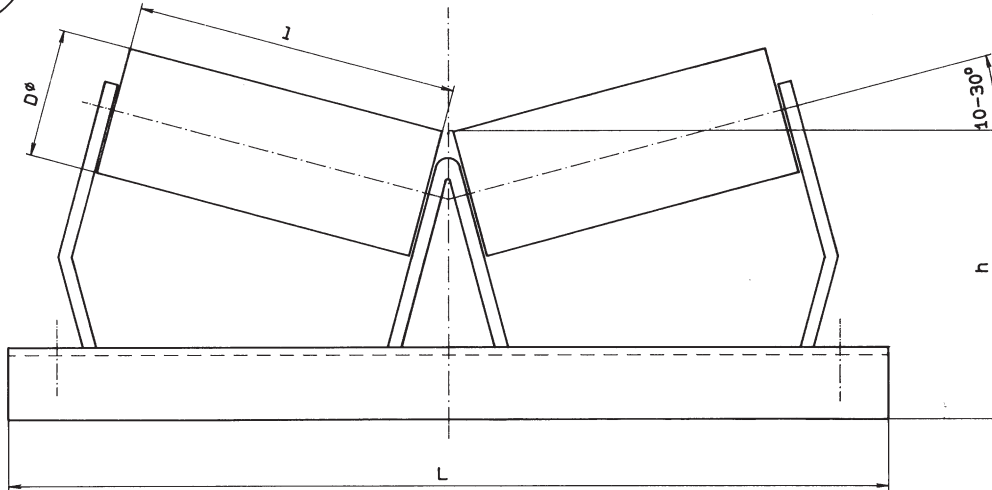


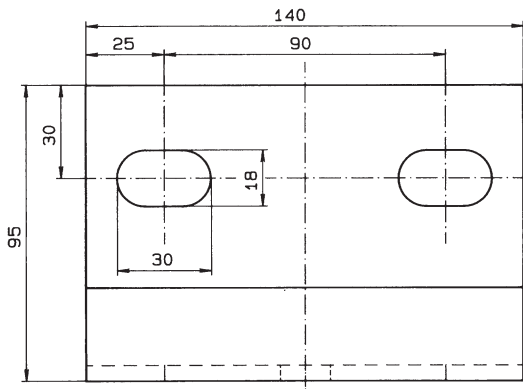
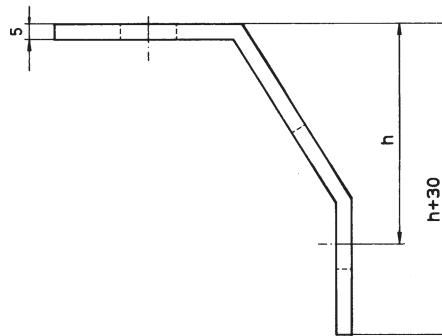
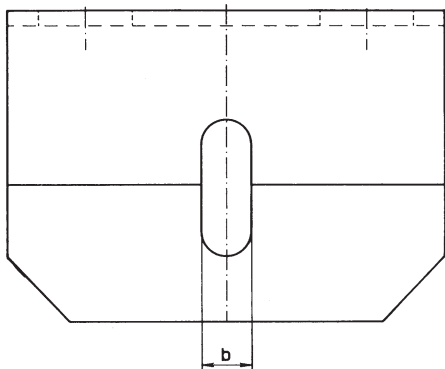


Conveyor Roller Stations

Manufacturing only regarding to drawings



Made from U-structural steel DIN 59413



Re customers information!

Various constructions and dimensions as well as steering and flat belt stations upon request.